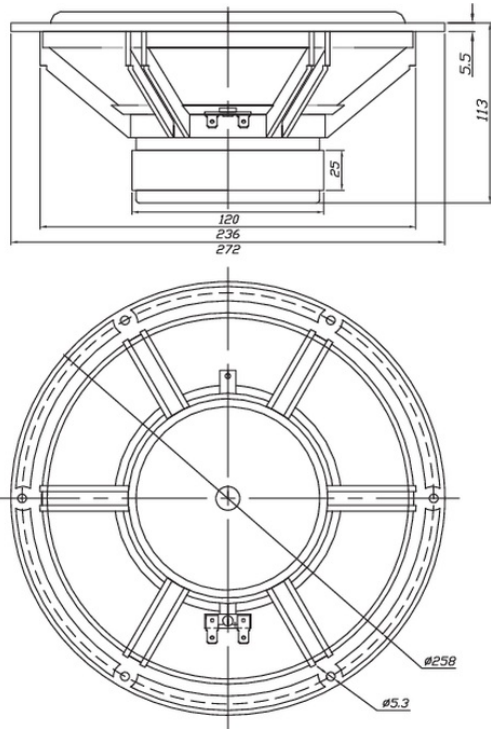




RS270P-8A 10" Reference Paper Woofer 8 Ohm

RS270P-8A



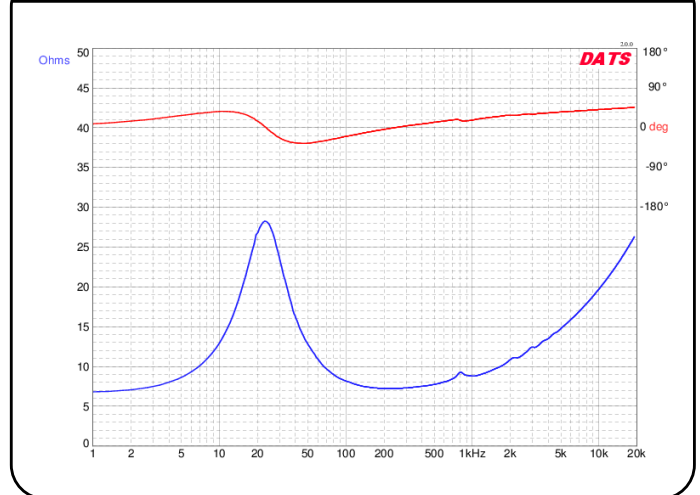
PARAMETERS

| | |
|-----------------------------|-----------------------|
| Impedance | 8 ohms |
| Re | 6.8 ohms |
| Le | 0.88 mH |
| Fs | 22.9 Hz |
| Qms | 1.33 |
| Qes | 0.42 |
| Qts | 0.32 |
| Mms | 73.2g |
| Cms | 0.66 mm/N |
| Sd | 346.4 cm ² |
| Vd | 207.8 cm ³ |
| BL | 13.0 Tm |
| Vas | 110.5 liters |
| Xmax | 6.0 mm |
| VC Diameter | 2" |
| SPL | 87.5 dB @ 2.83V/1m |
| RMS Power Handling | 100 watts |
| Usable Frequency Range (Hz) | 23 - 6,000 Hz |

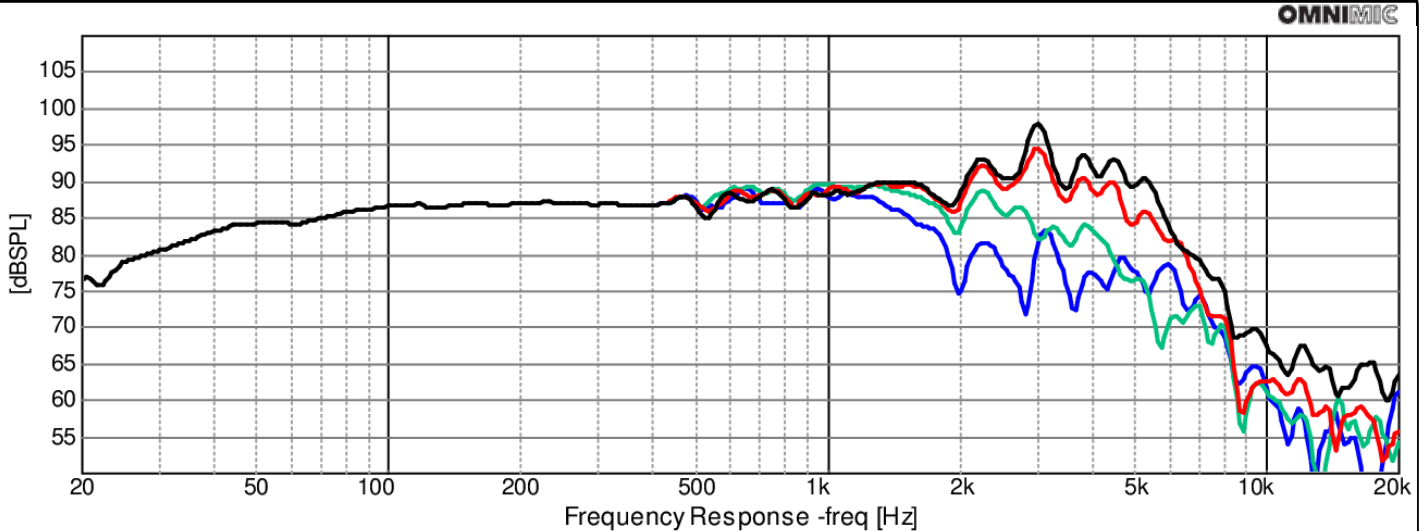
FEATURES

- Three-part paper composite diaphragm featuring paper, Kevlar, and glass fibers
- Low-distortion high-excursion motor system with two short-circuit paths
- Similar cosmetics and design features as original aluminum Dayton Audio Reference Series
- Perfect for use a woofer, midwoofer, or dedicated midrange driver
- 87.5 dB sensitivity and 6 mm of excursion

IMPEDANCE/PHASE



FREQUENCY RESPONSE



OmniMic

Note: 1/24th octave smoothing - nearfield response included in graph below 450 Hz.

Black = 0°
Red = 15°
Green = 30°
Blue = 45°